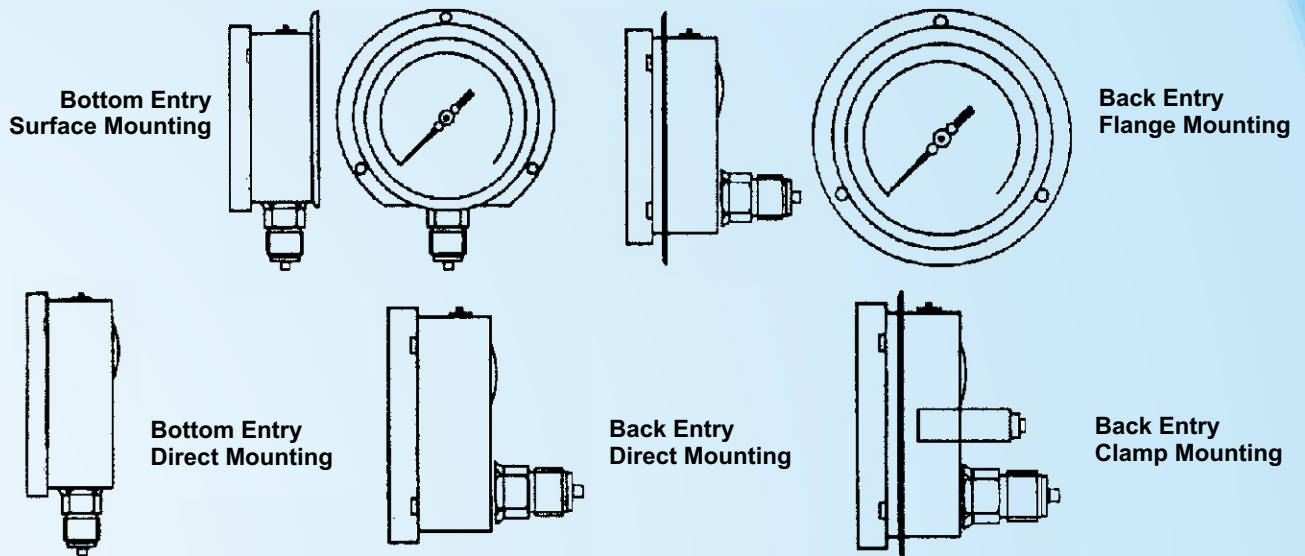


**MIEPL** Developed , Simplifying, Technology for Easy Maintenance of Gauges by providing. Weather proof construction, complete stainless steel (wetted & external) makes these gauges ideally suited for all kinds of process industries & OEM's. There is a Gauge for every application.



## STANDARD VERSION

ACCURACY	: ± 1.0% / 0.5% of Full Scale Range.
AMBIENT TEMPERATURE	: -25°C to 65°C
PROCESS TEMPERATURE	: Maximum 270° C
OPERATING PRESSURE	: Maximum 75% of the full Scale Value.
OVER PRESSURE LIMIT	: 130% of the Full Scale Value
PROTECTION	: IP 65 / IP 55
SENSING ELEMENT	: "C" Type Bourden Tube
CASE & BEZAL	: Stainless Steel 304, Bayonet lock
MOVEMENT	: Stainless Steel 304, 316
BOURDON	: Stainless Steel 316
SOCKET MATERIAL	: Stainless Steel 316
DIAL	: Aluminium, Black graduation on White background.
POINTER	: Aluminium Black Coloured Micrometer zero adjustable.
WINDOW	: Glass 4.00 mm thick.
GASKET	: EPDM
BLOW OFF DISC	: EPDM
JOINTS OF BOURDEN	: Argon arc welding.



OTHER MOUNTINGS AVAILABLE ON REQUEST

## Ordering Information

Build a P Model Gauge ordering number by combining the designators as shown below.

**PGI - 100 - R13 - S A - D B C**

<p><b>Product Function Type</b> Pressure Gauge, Industrial</p> <p><b>Dial Size</b> 65 = 65mm dial 100 = 100mm dial 150 = 150mm dial 250 = 250mm dial</p> <p><b>Ranges</b></p> <table border="0"> <tr> <td>R1 = 0 - 0.6 kg/cm<sup>2</sup></td> <td>R11 = 0 - 25 kg/cm<sup>2</sup></td> <td><b>Compound Gauge</b></td> </tr> <tr> <td>R2 = 0 - 1 kg/cm<sup>2</sup></td> <td>R12 = 0 - 60 kg/cm<sup>2</sup></td> <td>RC1 = -1 - 1.5 kg/cm<sup>2</sup></td> </tr> <tr> <td>R3 = 0 - 1.6 kg/cm<sup>2</sup></td> <td>R13 = 0 - 100 kg/cm<sup>2</sup></td> <td>RC2 = -1 - 3 kg/cm<sup>2</sup></td> </tr> <tr> <td>R4 = 0 - 2.5 kg/cm<sup>2</sup></td> <td>R14 = 0 - 160 kg/cm<sup>2</sup></td> <td>RC3 = -1 - 5 kg/cm<sup>2</sup></td> </tr> <tr> <td>R5 = 0 - 4 kg/cm<sup>2</sup></td> <td>R15 = 0 - 250 kg/cm<sup>2</sup></td> <td>RC4 = -1 - 9 kg/cm<sup>2</sup></td> </tr> <tr> <td>R6 = 0 - 6 kg/cm<sup>2</sup></td> <td>R16 = 0 - 400 kg/cm<sup>2</sup></td> <td>RC5 = -1 - 15 kg/cm<sup>2</sup></td> </tr> <tr> <td>R7 = 0 - 7 kg/cm<sup>2</sup></td> <td>R17 = 0 - 600 kg/cm<sup>2</sup></td> <td>RC6 = -1 - 25 kg/cm<sup>2</sup></td> </tr> <tr> <td>R8 = 0 - 10 kg/cm<sup>2</sup></td> <td>R18 = 0 - 1000 kg/cm<sup>2</sup></td> <td></td> </tr> <tr> <td>R9 = 0 - 16 kg/cm<sup>2</sup></td> <td>R19 = 0 - 1600 kg/cm<sup>2</sup></td> <td></td> </tr> <tr> <td>R10 = 0 - 21 kg/cm<sup>2</sup></td> <td></td> <td></td> </tr> </table> <p><b>Vacuum Gauge</b> RV1 = -760 - 0 mm Hg RV2 = -1 kg/cm<sup>2</sup> - 0</p> <p><b>Receiver Gauge</b> RR1 = -3 - 15 PSI RR2 = 0.2 - 1 kg/cm<sup>2</sup></p> <p><b>Units</b> S = Single Scale - kg/cm<sup>2</sup>, Bar D = Dual Scale-Bar &amp; PSI, kg/cm<sup>2</sup> &amp; PSI</p> <p><b>Connections</b> A = 3/8" BSP B = 3/8" NPT C = 1/2" BSP D = 1/2" NPT</p>	R1 = 0 - 0.6 kg/cm <sup>2</sup>	R11 = 0 - 25 kg/cm <sup>2</sup>	<b>Compound Gauge</b>	R2 = 0 - 1 kg/cm <sup>2</sup>	R12 = 0 - 60 kg/cm <sup>2</sup>	RC1 = -1 - 1.5 kg/cm <sup>2</sup>	R3 = 0 - 1.6 kg/cm <sup>2</sup>	R13 = 0 - 100 kg/cm <sup>2</sup>	RC2 = -1 - 3 kg/cm <sup>2</sup>	R4 = 0 - 2.5 kg/cm <sup>2</sup>	R14 = 0 - 160 kg/cm <sup>2</sup>	RC3 = -1 - 5 kg/cm <sup>2</sup>	R5 = 0 - 4 kg/cm <sup>2</sup>	R15 = 0 - 250 kg/cm <sup>2</sup>	RC4 = -1 - 9 kg/cm <sup>2</sup>	R6 = 0 - 6 kg/cm <sup>2</sup>	R16 = 0 - 400 kg/cm <sup>2</sup>	RC5 = -1 - 15 kg/cm <sup>2</sup>	R7 = 0 - 7 kg/cm <sup>2</sup>	R17 = 0 - 600 kg/cm <sup>2</sup>	RC6 = -1 - 25 kg/cm <sup>2</sup>	R8 = 0 - 10 kg/cm <sup>2</sup>	R18 = 0 - 1000 kg/cm <sup>2</sup>		R9 = 0 - 16 kg/cm <sup>2</sup>	R19 = 0 - 1600 kg/cm <sup>2</sup>		R10 = 0 - 21 kg/cm <sup>2</sup>			<p><b>Customized Logo</b> N = None C = With Customized Logo</p> <p><b>Entry</b> B = Bottom K = Back</p> <p><b>Mounting</b> D = Direct S = Surface P = Panel</p>
R1 = 0 - 0.6 kg/cm <sup>2</sup>	R11 = 0 - 25 kg/cm <sup>2</sup>	<b>Compound Gauge</b>																													
R2 = 0 - 1 kg/cm <sup>2</sup>	R12 = 0 - 60 kg/cm <sup>2</sup>	RC1 = -1 - 1.5 kg/cm <sup>2</sup>																													
R3 = 0 - 1.6 kg/cm <sup>2</sup>	R13 = 0 - 100 kg/cm <sup>2</sup>	RC2 = -1 - 3 kg/cm <sup>2</sup>																													
R4 = 0 - 2.5 kg/cm <sup>2</sup>	R14 = 0 - 160 kg/cm <sup>2</sup>	RC3 = -1 - 5 kg/cm <sup>2</sup>																													
R5 = 0 - 4 kg/cm <sup>2</sup>	R15 = 0 - 250 kg/cm <sup>2</sup>	RC4 = -1 - 9 kg/cm <sup>2</sup>																													
R6 = 0 - 6 kg/cm <sup>2</sup>	R16 = 0 - 400 kg/cm <sup>2</sup>	RC5 = -1 - 15 kg/cm <sup>2</sup>																													
R7 = 0 - 7 kg/cm <sup>2</sup>	R17 = 0 - 600 kg/cm <sup>2</sup>	RC6 = -1 - 25 kg/cm <sup>2</sup>																													
R8 = 0 - 10 kg/cm <sup>2</sup>	R18 = 0 - 1000 kg/cm <sup>2</sup>																														
R9 = 0 - 16 kg/cm <sup>2</sup>	R19 = 0 - 1600 kg/cm <sup>2</sup>																														
R10 = 0 - 21 kg/cm <sup>2</sup>																															

## ACCESSORIES

- Syphone
- Snubber
- Overload Protector
- Needle Valve
- Gauge Cock

## OPTIONS

- Electrical Contact
- Anti-Vibration Spring
- Oxygen Service
- Freon Scale
- Ammonia Scale
- Shattering Glass

## MILLENNIUM INSTRUMENTS LIMITED

H.O. : 101, 'Dwarkashish', Main Vikas Marg, Shakarpur, Delhi-92 (INDIA)

Tel. : +91-11-2201-4325, 4327, 65094516. Fax.: 22014326

Website : www.mil.org.in , www.miepl.com, E-mail : miepl@miepl.com

Works : F-12, Site-B, UPSIDC Ind. Area Surajpur, Greater Noida, Gautam Budh Nagar-201306 (U.P.) E-mail : sales@miepl.com, info@miepl.com