

Pressure Measurement

Transmitters for High Performance requirements

SITRANS P500 for differential pressure and flow

1

Selection and Ordering data

Article No.

**Pressure transmitters for differential pressure and flow,
SITRANS P500 HART, PN 160 (MAWP 2320 psi)**

7 MF 5 4 - - - - 0

Enclosure

Die-cast aluminum, dual compartment
Die-cast aluminum, dual compartment

Thread for cable gland

M20x1.5
½-14 NPT

0
1
3

Output

4 ... 20 mA, HART

Measuring cell filling

Silicone oil

Measuring cell cleaning

normal

1

Measuring span

1.25 ... 250 mbar	(0.5 ... 100.4 inH ₂ O)
6.25 ... 1250 mbar	(2.5 ... 502 inH ₂ O)
31.25 ... 6250 mbar	(12.54 ... 2509 inH ₂ O)
0.16 ... 32 bar	(2.33 ... 465 psi)

D
E
F
G

Wetted parts materials

(stainless steel process flanges)

Seal diaphragm

Process connection

Stainless steel 1.4404/316L

Stainless steel 1.4404/316L

Hastelloy C276

Stainless steel 1.4404/316L

Monel 400

Stainless steel 1.4404/316L

A
B
C

Process connection

Female thread ¼-18 NPT

- Sealing screw opposite process connection
 - Mounting thread 7/16 - 20 UNF according to EN 61518
 - Mounting thread M10 to DIN 19213
- Vent on side of process flange¹⁾
 - Mounting thread 7/16 - 20 UNF according to EN 61518
 - Mounting thread M10 to DIN 19213

0
1
4
5

¹⁾ Not in conjunction with remote seals

Pressure Measurement

Transmitters for High Performance requirements

SITRANS P500
for differential pressure and flow

1

Selection and Ordering data	Order code	Selection and Ordering data	Order code
Further designs Add "-Z" to Article No. and specify Order code.		Further designs Add "-Z" to Article No. and specify Order code.	
Attachments		Degree of protection approvals: Ex ia/ib (intrinsic safety)	
Mounting bracket made of steel	A01	Ex ia/ib protection (ATEX) (T4)	E00
Mounting bracket made of stainless steel	A02	Ex IS protection (FM) (T4)	E01
Display (Standard: no display, cover closed)		Ex IS protection (cCSA _{US}) (T4)	E02
With display and blanking cover	A10	Ex ia/ib protection (NEPSI) (T4)	E06
With display and glass cover	A11	Degree of protection approvals: Ex d (flameproof)	
Special casing / cover version		Ex d explosion-proof (ATEX)(T4/T6)	E20
Two coats of lacquer on casing, cover (PU on epoxy)	A20	Ex XP explosion-proof and DIP (FM)(T4/T6)	E21
Electrical connection and cable entry (Standard: no cable gland, only dust protection caps)		Ex XP explosion-proof and DIP (cCSA _{US})(T4/T6)	E22
Cable gland made of plastic (IP66/68) ⁴⁾	A50	Ex d explosion-proof (NEPSI)(T4/T6)	E26
Cable glands made of metal (IP66/68)	A51	Degree of protection approvals: n/NI	
Cable glands made of stainless steel (IP66/68)	A52	Zone 2 (nA, nL, ic) (ATEX) (T4/T6)	E40
M12 connectors without cable socket (IP66/67) ⁴⁾	A60	Div2 NI, Div2 NI-field wiring (FM) (T4/T6)	E41
M12 connectors complete with cable socket (IP66/67) ⁴⁾	A61	Zone 2 (nA, nL), Div2 NI (cCSA _{US}) (T4/T6)	E42
Han 7D connectors, plastic, straight (with cable socket) (IP65) ⁴⁾	A71	Zone 2 (nA, nL) (NEPSI) (T4/T6)	E46
Han 7D connectors, plastic, angled (with cable socket) (IP65) ⁴⁾	A72	Degree of protection approvals: Dust Zone 20/21/22	
Han 7D connectors, metal enclosure, straight (with cable socket) (IP65) ⁴⁾	A73	Use in Zone 21/22 (Ex tD) (ATEX)	E60
Han 7D connectors, metal enclosure, angled (with cable socket) (IP65) ⁴⁾	A74	Use in Zone 20/21/22 (Ex iaD) (ATEX)	E61
Han 8D connectors, plastic, straight (with cable socket) (IP65) ⁴⁾ ⁸⁾	A75	Use in Zone 21/22 (Ex DIP) (NEPSI)	E66
Han 8D connectors, plastic, angled (with cable socket) (IP65) ⁴⁾ ⁸⁾	A76	Degree of protection approvals: Combinations	
Han 8D connectors, metal enclosure, straight (with cable socket) (IP65) ⁴⁾ ⁸⁾	A77	IS protection and XP and DIP (FM)	E71
Han 8D connectors, metal enclosure, angled (with cable socket) (IP65) ⁴⁾ ⁸⁾	A78	IS protection and XP and DIP (cCSA _{US})	E72
PG 13.5 adapters ⁴⁾	A82	IS protection and XP and DIP (FM/cCSA _{US})	E73
Language for labels, leporellos, menu language default⁹⁾ (instead of English as standard)		Supplementary approvals/degree of protection	
German	B10	Dual Seal approval ⁵⁾	E85
French	B12	Special process connection versions (diff. pressure)	
Spanish	B13	Side vents for gas measurements ⁷⁾	L32
Italian	B14	Swap process connection: high-pressure side at front	L33
Chinese	B15	Process flanges, O-rings, special material	
Russian	B16	Standard: Viton (FKM (FPM))	
Japanese	B17	Process connection sealing rings made of PTFE (Teflon), virginal	L60
English with units psi/inH ₂ O/°F	B21	Process connection sealing rings made of PTFE (Teflon), glass fiber-reinforced	L61
Special version: Supplementary menu languages (Standard: English, German, French, Spanish, Italian)		Process connection sealing rings made of FFPM (Kalrez) ¹⁰⁾	L62
Asia language package (in addition: Chinese, Japanese, Russian)	B80	Process connection sealing rings made of NBR	L63
Certificates (available online for downloading) ¹⁾		Process connection sealing rings made of graphite	L64
Quality inspection certificate (Five-step factory calibration) according to IEC 60770-2 ²⁾	C11	Drain/Vent valve (1 set = 2 units)	
Acceptance test certificate according to EN 10204-3.1 ³⁾	C12	2 ventilation valves ¼- 18 NPT, in material of process flanges)	L80
		Remote seals	
		Transmitters with connection of remote seal ⁶⁾ (For premounted valve manifolds see page 1/196)	V00

¹⁾ Enclosed in print or as CD: see page 1/194.

²⁾ When also ordering the quality inspection certificate (factory calibration) according to IEC 60770-2 for transmitters with mounted diaphragm seals: Order this certificate only together with the remote seals. The measuring accuracy of the total combination is certified here.

³⁾ When also ordering the acceptance test certificate according to EN 10204-3.1 for transmitters with mounted diaphragm seals: Order this certificate as well in addition to the respective remote seals.

⁴⁾ Not together with types of protection "Explosion-proof", "Ex nA" and "Intrinsic safety and explosion-proof"

⁵⁾ Only in conjunction with FM and/or cCSA_{US}

⁶⁾ Please select a remote seal separately. Also refer to the information under footnote 2). Remote seals see page 1/199.

⁷⁾ Only in conjunction with process connection "Vent on side".

⁸⁾ The Han 8D plug is identical with the former Han 8U version.

⁹⁾ For option B15, B16 and B17 the menu language default is english. Otherwise the Option B80 (Asia language package) is necessary.

¹⁰⁾ Not together with Measuring span "G".

Pressure Measurement

Transmitters for High Performance requirements

SITRANS P500 for differential pressure and flow

1

Selection and Ordering data	Order code
Additional data	
Please add '-Z' to Article No. and specify Order code(s) and plain text.	
Measuring range to be set	
Specify in plain text:	
<ul style="list-style-type: none"> In the case of linear characteristic curve (max. 5 characters): Y01: ... up to ... mbar, bar, kPa, MPa, psi 	Y01
<ul style="list-style-type: none"> In the case of square rooted characteristic (max. 5 characters): Y02: ... up to ... mbar, bar, kPa, MPa, psi 	Y02
Measuring point number and measuring point identifier (only standard ASCII character set)	
Specify in plain text:	
Measuring point number (TAG No.), max. 16 characters Y15:	Y15
Measuring point text (max. 27 char.) Y16:	Y16
Entry of HART address (TAG), max. 32 characters Y17:	Y17
Setting of pressure indication in pressure units	Y21
Specify in plain text (standard setting: mbar) Y21: bar, kPa, MPa, psi, ...	
Note: The following pressure units are selectable: bar, mbar, mm H ₂ O [*] , in H ₂ O [*] , ftH ₂ O [*] , mmHG, inHG, psi, Pa, kPa, MPa, g/cm ² , kg/cm ² , Torr, ATM, % or mA	
*) Reference temperature 20 °C	
Setting of pressure indication in non-pressure units¹⁾	Y22 + Y01 or Y02
Specify in plain text: Y22: ... up to ... l/min, m ³ /h, m, USgpm, ... (specification of measuring range in pressure units "Y01" is essential, unit with max. 5 characters)	
Customer-specific settings	
Damping setting (range: 0 ... 100 s) (Standard setting: 2 s)	Y30

¹⁾ Preset values can only be changed over SIMATIC PDM.

Pressure Measurement

Transmitters for High Performance requirements

SITRANS P500
 for level

1

Selection and Ordering data		Article No.	Order code
Pressure transmitters for level, SITRANS P500 HART		7MF56	0
Enclosure	Thread for cable gland		
Die-cast aluminum, dual compartment	M20x1.5	0	
Die-cast aluminum, dual compartment	½-14 NPT	1	
Output			
4 ... 20 mA, HART		3	
Measuring cell filling	Measuring cell cleaning		
Silicone oil	normal	1	
Measuring span (min. ... max.)			
1.25 ... 250 mbar	(0.5 ... 100 inH ₂ O)	D	
6.25 ... 1250 mbar	(2.5 ... 500 inH ₂ O)	E	
31.25 ... 6250 mbar	(12.54 ... 2509 inH ₂ O)	F	
Wetted parts of the low-pressure side (stainless steel process flanges)			
Seal diaphragm	Process connection		
Stainless steel 1.4404/316L	Stainless steel 1.4404/316L	A	
Hastelloy C276	Stainless steel 1.4404/316L	B	
Monel 400	Stainless steel 1.4404/316L	C	
Process connection of low-pressure side			
Female thread ¼-18 NPT			
• Sealing screw opposite process connection			
- Mounting thread 7/16 - 20 UNF according to IEC 61518		0	
- Mounting thread M10 to DIN 19213		1	
• Vent on side of process flange			
- Mounting thread 7/16 - 20 UNF according to IEC 61518		4	
- Mounting thread M10 to DIN 19213		5	
Wetted parts materials (high-pressure side)			
Stainless steel 1.4404/316L		0	
Hastelloy C276 mat. no. 2.4819		1	
Monel 400 mat. no. 2.4360		2	
Tantalum		3	
PFA coated on stainless steel		4	
PTFE on stainless steel 1.4404/316L (not in combination with an extension)		6 A	
Other version		9 Y	N 1 Y
Add Order code and plain text:			
Material: ... ; Extension length: ...			
Process connection on high-pressure side: Extension length			
None			A
50 mm (1.97 inch)			B
100 mm (3.94 inch)			C
150 mm (5.90 inch)			D
200 mm (7.87 inch)			E
Other version: See option "9" for "Wetted parts materials"			
Process connection on high-pressure side: Nominal diameter/Nominal pressure			
DN 50, PN 40 ⁶⁾			B
DN 80, PN 40			D
DN 100, PN 16			G
DN 100, PN 40			H
2", class 150 ⁶⁾			L
2", class 300 ⁶⁾			M
3", class 150			Q
3", class 300			R
4", class 150			T
4", class 300			U
Other version, add			Z
Order code and plain text:			
Nominal diameter: ... ; Nominal pressure: ...			Q 1 Y

Pressure Measurement

Transmitters for High Performance requirements

SITRANS P500 for level

1

Selection and Ordering data	Article No.	Order code
Pressure transmitters for level, SITRANS P500 HART	7MF56 - 0 -	
Process connection on high-pressure side: Filling liquid		
Silicone oil M5		0
Silicone oil M50		1
High-temperature oil		2
Halocarbon (for oxygen measurement)		3
FDA compliant oil		4
Glycerin/water		5
Other version, add		9
Order code and plain text:		R 1 Y
Filling liquid: ...		

Pressure Measurement

Transmitters for High Performance requirements

SITRANS P500
 for level

1

Selection and Ordering data	Order code	Selection and Ordering data	Order code
Further designs Add "-Z" to Article No. and specify Order code.		Further designs Add "-Z" to Article No. and specify Order code.	
Display (Standard: no display, cover closed)		Degree of protection approvals: Ex d (flameproof)	
With display and blanking cover	A10	Ex d explosion-proof (ATEX)(T4/T6)	E20
With display and glass cover	A11	Ex XP explosion-proof and DIP (FM)(T4/T6)	E21
Special version: cover/casing		Ex XP explosion-proof and DIP (cCSA _{US})(T4/T6)	E22
Two coats of lacquer on casing, cover (PU on epoxy)	A20	Ex d explosion-proof (NEPSI)(T4/T6)	E26
Electrical connection and cable entry (Standard: no cable gland, only dust protection caps)		Degree of protection approvals: n/NI	
Cable gland made of plastic (IP66/68) ⁴⁾	A50	Zone 2 (nA, nL, ic) (ATEX) (T4/T6)	E40
Cable glands made of metal (IP66/68)	A51	Div2 NI, Div2 NI-field wiring (FM) (T4/T6)	E41
Cable glands made of stainless steel (IP66/68)	A52	Zone 2 (nA, nL), Div2 NI (cCSA _{US}) (T4/T6)	E42
M12 connectors without cable socket (IP66/67) ⁴⁾	A60	Zone 2 (nA, nL) (NEPSI) (T4/T6)	E46
M12 connectors, cable socket (IP66/67) ⁴⁾	A61	Degree of protection approvals: Zone 20/21/22	
Han 7D connectors, plastic, straight (with cable socket) (IP65) ⁴⁾	A71	Use in Zone 21/22 (Ex tD) (ATEX)	E60
Han 7D connectors, plastic, angled (with cable socket) (IP65) ⁴⁾	A72	Use in Zone 20/21/22 (Ex iaD) (ATEX)	E61
Han 7D connectors, metal enclosure, straight (with cable socket) (IP65) ⁴⁾	A73	Use in Zone (Ex DIP) (ATEX)	E66
Han 7D connectors, metal enclosure, angled (with cable socket) (IP65) ⁴⁾	A74	Degree of protection approvals: Combinations	
Han 8D connectors, plastic, straight (with cable socket) (IP65) ⁴⁾ ⁷⁾	A75	IS protection and XP and DIP (FM)	E71
Han 8D connectors, plastic, angled (with cable socket) (IP65) ⁴⁾ ⁷⁾	A76	IS protection and XP and DIP (cCSA _{US})	E72
Han 8D connectors, metal enclosure, straight (with cable socket) (IP65) ⁴⁾ ⁷⁾	A77	IS protection and XP and DIP (FM/cCSA _{US})	E73
Han 8D connectors, metal enclosure, angled (with cable socket) (IP65) ⁴⁾ ⁷⁾	A78	Supplementary approvals / degree of protection	
PG 13.5 adapters ⁴⁾	A82	Dual Seal approval ⁵⁾	E85
Language for labels, leporellos and menu language default⁶⁾ (instead of English as standard)		Special process connection versions (diff. pressure)	
German	B10	Swap process connection: high-pressure side at front	L33
French	B12	Process flanges, O-rings, special material	
Spanish	B13	Standard: Viton (FKM) (FPM)	
Italian	B14	Process connection sealing rings made of PTFE (Teflon), virginal	L60
Chinese	B15	Process connection sealing rings made of PTFE (Teflon), glass fiber-reinforced	L61
Russian	B16	Process connection sealing rings made of FPM (Kalrez)	L62
Japanese	B17	Process connection sealing rings made of NBR	L63
English with units: psi/inH ₂ O	B21	Process connection sealing rings made of graphite	L64
Special version: Supplementary menu languages (Standard: English, German, French, Spanish, Italian)		Drain/Vent valve (1 set = 2 units)	
Asia language package (in addition: Chinese, Japanese, Russian)	B80	2 ventilation valves 1/4- 18 NPT, in material of process flange)	L80
Certificates (available online for downloading)¹⁾		Vacuum-proof design	
Quality inspection certificate (Five-step factory calibration) according to IEC 60770-2 ²⁾	C11	Vacuum service	V04
Acceptance test certificate according to EN 10204-3.1 ³⁾	C12	Spark arrester	V05
Degree of protection approvals: Ex ia/ib (intrinsic safety)		For mounting on zone 0 (including documentation)	
Ex ia/ib protection (ATEX) (T4)	E00		
Ex IS protection (FM) (T4)	E01		
Ex IS protection (cCSA _{US}) (T4)	E02		
Ex ia/ib protection (NEPSI) (T4)	E06		

¹⁾ Enclosed in print or as CD: see page 1/194.

²⁾ When also ordering the quality inspection certificate (factory calibration) according to IEC 60770-2 for transmitters with mounted diaphragm seals: Order this certificate only together with the remote seals. The measuring accuracy of the total combination is certified here.

³⁾ When also ordering the acceptance test certificate according to EN 10204-3.1 for transmitters with mounted diaphragm seals: Order this certificate as well in addition to the respective remote seals.

⁴⁾ Not together with types of protection "Explosion-proof", "Ex nA" and "Intrinsic safety and explosion-proof"

⁵⁾ Only in conjunction with FM and/or cCSA_{US}

⁶⁾ Not recommended for Measuring span "D"

⁷⁾ The Han 8D plug is identical with the former Han 8U version.

⁸⁾ For option B15, B16 and B17 the menu language default is english. Otherwise the Option B80 (Asia language package) is necessary.

Pressure Measurement

Transmitters for High Performance requirements

SITRANS P500 for level

1

Selection and ordering data	Order code
<p>Additional data Please add '-Z' to Article No. and specify Order code(s) and plain text.</p>	
<p>Measuring range to be set Specify in plain text: Linear characteristic curve (max. 5 characters): Y01: ... up to ... mbar, kPa, MPa, psi</p>	Y01
<p>Measuring point number and measuring point identifier (only standard ASCII character set) Specify in plain text: Measuring point number (TAG No.), max. 16 characters Y15:</p>	Y15
<p>Measuring point text (max. 27 char.) Y16:</p>	Y16
<p>Entry of HART address (TAG), max. 32 characters Y17:</p>	Y17
<p>Setting of pressure indication in pressure units Specify in plain text (standard setting: mbar) Y21: bar, kPa, MPa, psi, ... Note: The following pressure units are selectable: bar, mbar, mm H₂O*, in H₂O*, ftH₂O*, mmHG, inHG, psi, Pa, kPa, MPa, g/cm², kg/cm², Torr, ATM, % or mA *) Reference temperature 20 °C</p>	Y21
<p>Setting of pressure indication in non-pressure units¹⁾ Specify in plain text: Y22: ... up to ... l/min, m³/h, m, USgpm, ... (specification of measuring range in pressure units "Y01" is essential, unit with max. 5 characters)</p>	Y22 + Y01
<p>Customer-specific settings Damping setting (range: 0 ... 100 s) (Standard setting: 2 s)</p>	Y30

¹⁾ Preset values can only be changed over SIMATIC PDM.

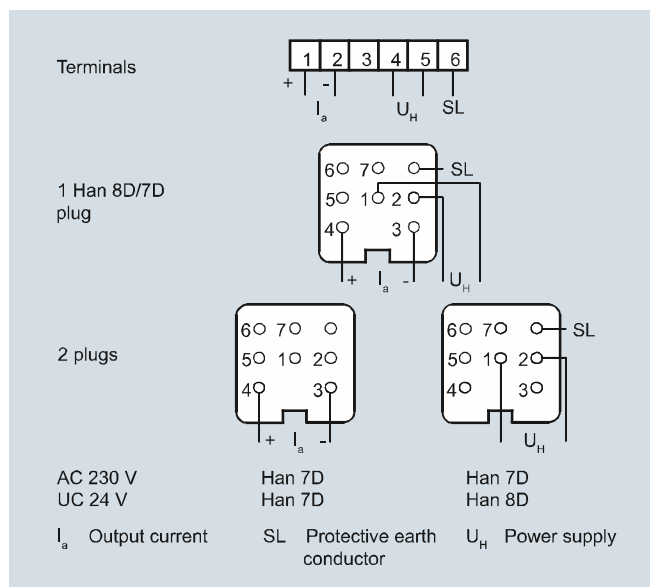
Pressure Measurement

Transmitters for High Performance requirements

SITRANS P500 Supplementary electronics for 4-wire connection

1

Schematics



Supplementary electronics for 4-wire connection, connection diagram (the HAN 8D connector is identical to the previous version of the HAN 8U)

Selection and Ordering data		Order code
Supplementary electronics for 4-wire connection		V ■■
Article No. of the transmitter 7MF54..-.....-.... or 7MF56..-.....-.... add "-Z" and Order code.		
Power supply	Electrical connection	
24 V AC/DC	Terminals; 2 Pg screwed glands, to left	1
	2 Han 7D/Han 8U plugs incl. mating connector, to left	3
	1 Han 7D plug incl. mating connector, angled	5
	Terminals; 1 Pg screwed gland, downwards	6
	1 Han 8U plug incl. mating connector, downwards (observe arrangement of plug and differential pressure line)	9
230 V AC	Terminals; 2 Pg screwed glands, to left	7
	2 Han 7D plugs incl. mating connector, to left	8
Output current		
0 ... 20 mA		0
4 ... 20 mA		1
Accessories	Article No.	
Instruction Manual	A5E00322799	
German/English		

Pressure Measurement

Transmitters for High Performance requirements

SITRANS P500
Accessories/Spare parts

1

Selection and ordering data		Article No.
Replacement measuring cells for differential pressure		7 MF 5 9 9 4 -
SITRANS P pressure transmitters for differential pressure and flow, P500 HART PN 160 series (MAWP 2320 psi)		1
Measuring cell filling	Measuring cell cleaning	1
Silicone oil	normal	
Measuring span (min. ... max.)		
1.25 ... 250 mbar	(0.5 ... 100.4 inH ₂ O)	D
6.25 ... 1250 mbar	(2.5 ... 502 inH ₂ O)	E
31.25 ... 6250 mbar	(12.54 ... 2509 inH ₂ O)	F
0.16 ... 32 bar	(2.33 ... 465 psi)	G
Wetted parts materials		
(stainless steel process flanges)		
Seal diaphragm	Parts of measuring cell	
Stainless steel 1.4404/316L	Stainless steel 1.4404/316L	A
Hastelloy C276	Stainless steel 1.4404/316L	B
Monel 400	Stainless steel 1.4404/316L	C
Process connection		
Female thread 1/4-18 NPT		
• Sealing screw opposite process connection		
- Mounting thread 7/16-20 UNF to IEC 61518		0
- Mounting thread M10 to DIN 19213		1
• Vent on side of process flange		
- Mounting thread 7/16-20 UNF to IEC 61518		4
- Mounting thread M10 to DIN 19213		5
Further designs		Order code
Add "-Z" to Article No. and specify Order code.		
Acceptance test certificate		C12
Acc. to EN 10204-3.1		
Without process flanges		K00
Vent on side for gas measurements ¹⁾		L32
Process flanges, O-ring, special material		
Standard: Viton (FKM (FPM))		
Process connection sealing rings made of PTFE (Teflon), virginal		L60
Process connection sealing rings made of PTFE (Teflon), glass fiber-reinforced		L61
Process connection sealing rings made of FFPM (Kalrez) ²⁾		L62
Process flanges, O-rings made of NBR		L63
Process flanges, O-rings made of graphite		L64

¹⁾ Only in conjunction with process connection code 4 or 5.

²⁾ Not together with Measuring span "G".

Pressure Measurement

Transmitters for High Performance requirements

SITRANS P500 Accessories/Spare parts

1

Selection and Ordering data

	Article No.
Mounting brackets For differential pressure transmitters with flange thread M10 (7MF54...10 and 7MF54...50) <ul style="list-style-type: none"> Made of steel Made of stainless steel 	7MF5987-1AA 7MF5987-1AD
Mounting brackets for differential pressure transmitter with flange thread 7/16-20 UNF (7MF54...00 and 7MF54...40) <ul style="list-style-type: none"> Made of steel Made of stainless steel 	7MF5987-1AC 7MF5987-1AF
Cover Made of die-cast aluminum, including O-ring <ul style="list-style-type: none"> Without window With window 	7MF5987-1BE 7MF5987-1BF
Digital indicator Including mounting material	7MF5987-1BR
TAG plate (incl. fastening material) Without inscription (5 pcs.) Printed (1 pc.) Data according to Y01 or Y02, Y15 and Y16 (see "SITRANS P transmitters")	7MF5987-1CA 7MF5987-1CB-Z Y..:
Mounting screws For TAG plate, grounding and connection terminals and securing and locking screws (30 units)	7MF5987-1CC
Sealing plugs for process flange (1 set = 2 units) <ul style="list-style-type: none"> Made of stainless steel Made of Hastelloy 	7MF4997-1CG 7MF4997-1CH
Vent valve Complete (1 set = 2 units) <ul style="list-style-type: none"> Made of stainless steel Made of Hastelloy 	7MF4997-1CP 7MF4997-1CQ
Electronics module HART, intrinsically safe Ex ia for installation in transmitter casing (observe warranty conditions)	7MF5987-1DC
Connection board (incl. fastening material) HART, intrinsically safe Ex ia for installation in transmitter casing (observe warranty conditions)	7MF5987-1DM
O-rings for process flanges made of: <ul style="list-style-type: none"> Viton (FKM (FPM)) (10 pcs.) NBR (Buna N) (10 pcs.) 	7MF5987-2DA 7MF5987-2DE
Push buttons assembly (incl. fastening material) For replacement of operating keys for on-site operation of the transmitter	7MF5987-2AF
Sealing ring for <ul style="list-style-type: none"> Process connection NBR sealing ring for screw cover (10 pcs.) NBR sealing ring for interface measuring cell/housing (10 pcs.) 	See catalog FI01, "Fittings" 7MF4997-2EA 7MF5987-2EB

Selection and Ordering data

	Article No.
Operating Instructions¹⁾ German English French Italian Spanish	A5E02344527 A5E02344528 A5E02344529 A5E02344530 A5E02344531
Compact operating instructions¹⁾ English, German, Spanish, French, Italian, Dutch English, Estonian, Latvian, Lithuanian, Polish, Romanian English, Bulgarian, Czech, Finnish, Slovakian, Slovenian English, Danish, Greek, Portuguese, Swedish, Hungarian Russian	A5E02344532 A5E02307339 A5E02307340 A5E02307341 A5E02307338
Brief instructions (Leporello) German, English, French, Italian, Spanish, Chinese	A5E02344536
DVD with SITRANS P documentation German, English, French, Spanish, Italian Compact operating instructions in 21 EU languages	A5E00090345
Service Instructions¹⁾ for replacement of electronics, measuring cell and terminal board <ul style="list-style-type: none"> German English 	A5E02822443 A5E02344534
HART modem <ul style="list-style-type: none"> With RS232 interface With USB interface 	7MF4997-1DA 7MF4997-1DB
Operating instruction¹⁾ Supplementary electronics for 4-wire connection German, English	A5E00322799
Certificates (order only via SAP) additional to internet download <ul style="list-style-type: none"> Hard copy (to order) On CD (to order) 	A5E03252406 A5E03252407

¹⁾ You can download these operating instructions free-of-charge from our Internet site at www.siemens.com/sitransp.

► Available ex stock.

For power supply units, see catalog FI01 "Supplementary Components".