

Accessories for diaphragm seals

- Model 910.19, block flange adapter for plain pipes
- Model 910.20, saddle flange
- Model 910.23, block flange adapter for jacketed pipes

WIKA data sheet AC 91.01

Applications

- For welding into the product or heating pipeline in order to provide a measuring point connection (block flange adapter)
- For welding onto the product pipeline in order to provide a measuring point connection (saddle flange)
- Process industry
- Petrochemical industry

Special features

- To weld on pipe DN 15 ... DN 150 (block flange adapter)
- To weld on pipe DN 65 ... DN 150 or DN 2 ½" ... 6" (saddle flange)
- For diaphragm seal model 990.15

Description

Process connection

see tables on page 2

Material

Stainless steel 1.4571 (block flange adapter)

Heating pipeline (on model 910.23): steel St 35.8 I

Stainless steel 316 L (saddle flange)

Diaphragm seal

Specifications see model 990.15 (data sheet DS 99.35)

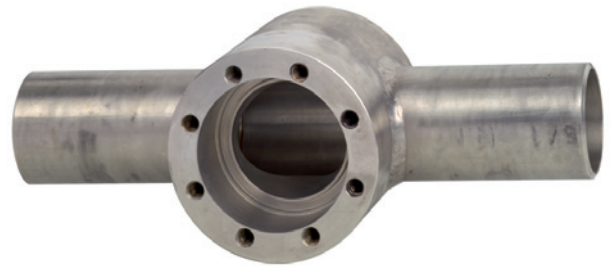
Operating temperature

Block flange adapter max. 250 °C

Saddle flange max. 300 °C

Note

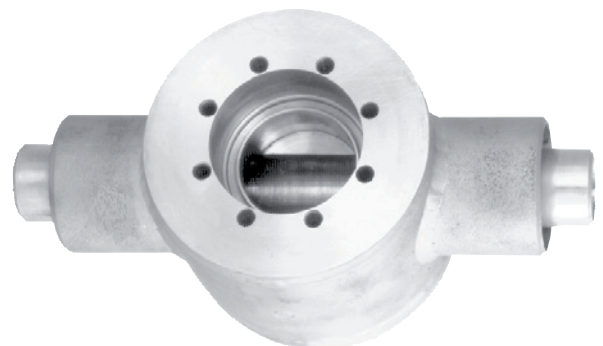
Diaphragm seals and mounting parts to be separately ordered.



Block flange adapter for plain pipes, model 910.19



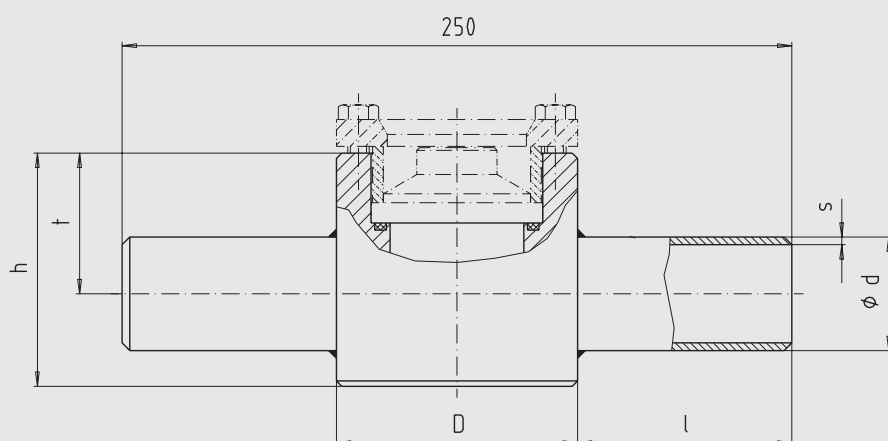
Saddle flange, model 910.20



Block flange adapter for jacketed pipes, model 910.23

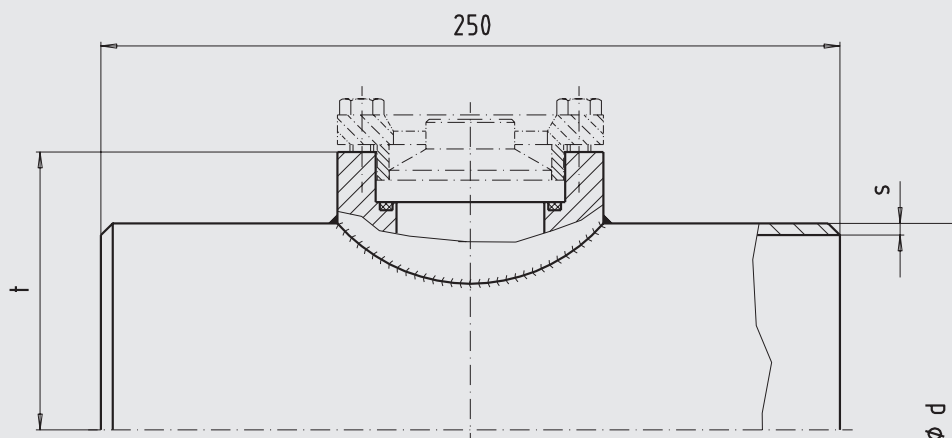
Dimensions in mm

Block flange adapter for plain pipes, model 910.19



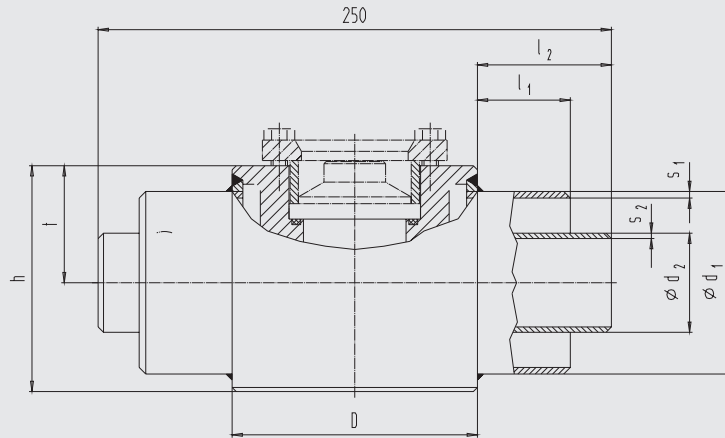
DN in mm	Pressure rating PN in bar at temperature		Dimensions in mm						
	max. 100 °C	max. 250 °C	d	s	D	l	t	h	
15	195	175	21.3	2.3	90	80	42	58	
20	185	165	26.9	2.6	90	80	44.5	66	
25	150	130	33.7	2.6	90	80	47	74	
32	115	100	42.4	2.6	90	80	52.5	87	
40	105	90	48.3	2.6	90	80	55.5	80	
50	80	70	60.3	2.6	100	75	61.5	100	

Block flange adapter for plain pipes, model 910.19



DN in mm	Pressure rating PN in bar at temperature		Dimensions in mm		
	max. 100 °C	max. 250 °C	d	s	t
65	65	55	76.1	2.6	62
80	65	55	88.9	2.9	69
100	50	45	114.3	3.05	82
125	60	50	139.7	4.0	94
150	50	45	168.3	4.5	108

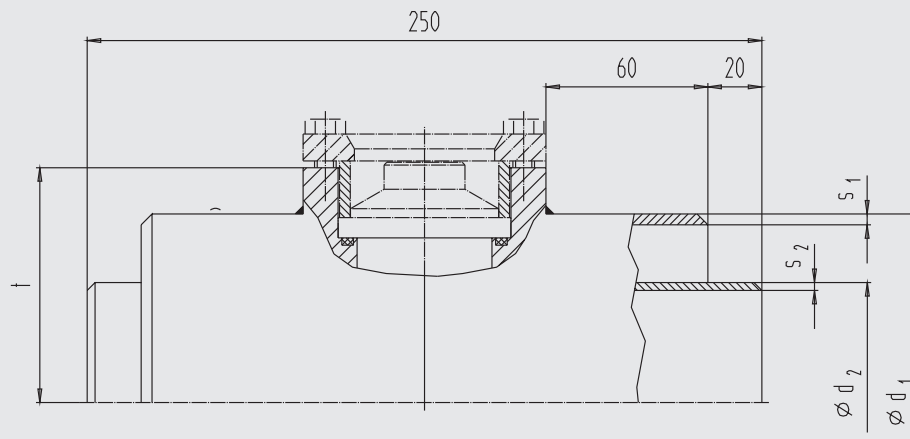
Block flange adapter for jacketed pipes, model 910.23



Process line		Heater jacket		Dimensions in mm									
DN	Pressure rating PN in bar	DN	Pressure rating PN in bar	d ₁	d ₂	s ₁	s ₂	D	h	t	l ₁	l ₂	
in mm	at temperature max. 250 °C	in mm	at temperature max. 250 °C										
15	240 ¹⁾	32	35	42.4	21.3	2.6	2.3	132 ¹⁾	80	42	65.3	45.3	
20	210 ¹⁾	40	35	48.3	26.9	2.6	2.6	132 ¹⁾	88	46	65.3	45.3	
25	170 ¹⁾	50	35	60.3	33.7	2.6	2.6	132 ¹⁾	96	50	65.3	45.3	
32	130 ¹⁾	65	35	76.1	42.4	2.9	2.6	132 ¹⁾	104	55	65.3	45.3	
40	110 ¹⁾	80	28	88.9	48.3	3.2	2.6	132 ¹⁾	110	57	65.3	45.3	
50	90	80	28	88.9	60.3	3.2	2.6	133	121.5	63	58.5	38.5	

1) Available with PN 100, but with dimension D = 119.5 mm

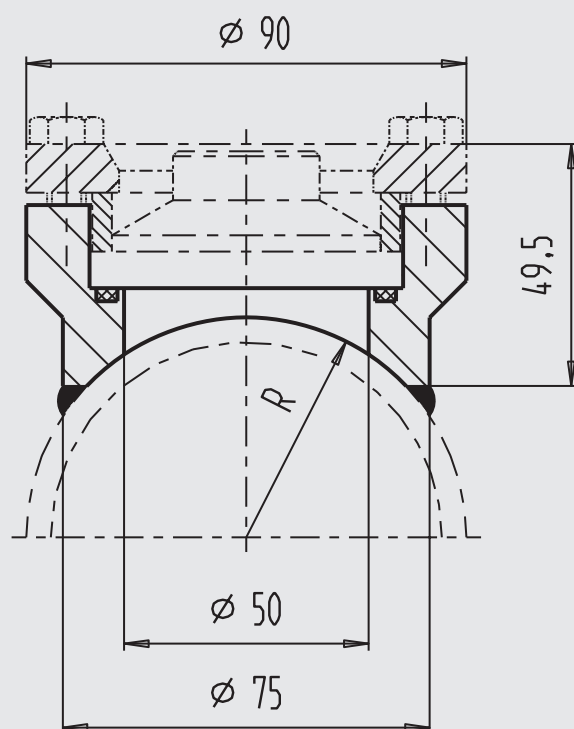
Block flange adapter for jacketed pipes, model 910.23



Process line		Heater jacket		Dimensions in mm				
DN	Pressure rating PN in bar	DN	Pressure rating PN in bar	d ₁	d ₂	s ₁	s ₂	t
in mm	at temperature max. 250 °C	in mm	at temperature max. 250 °C					
65	70	100	28	114.3	76.1	3.05	2.6	71
80	70	100	28	114.3	88.9	3.05	2.9	79
80	70	125	35	139.7	88.9	4.0	2.9	79
100	55	150	35	168.3	114.3	4.5	3.05	91
125	60	200	40	212	139.7	5.9	4.0	114
150	50	200	40	219.1	168.3	5.9	4.5	118

Dimensions in mm

Saddle flange, model 910.20



Radius R in mm ¹⁾	To fit pipe of DN in mm	DN in inch	Outer diameter in mm
38	65	2 ½	76.1
45	80	3	88.9
57	100	4	114.3
70	125	5	139.7
85	150	6	168.3

1) Other pipe diameters and nominal sizes on request.

Ordering information

Model / Process connection / System fill fluid / Assembly on pressure measuring instrument model ... / Process conditions per questionnaire

The specifications given in this document represent the state of engineering at the time of publishing. We reserve the right to make modifications to the specifications and materials.



WIKAI Alexander Wiegand SE & Co. KG
 Alexander-Wiegand-Straße 30
 63911 Klingenberg/Germany
 Tel. (+49) 9372/132-0
 Fax (+49) 9372/132-406
 E-mail info@wika.de
 www.wika.de