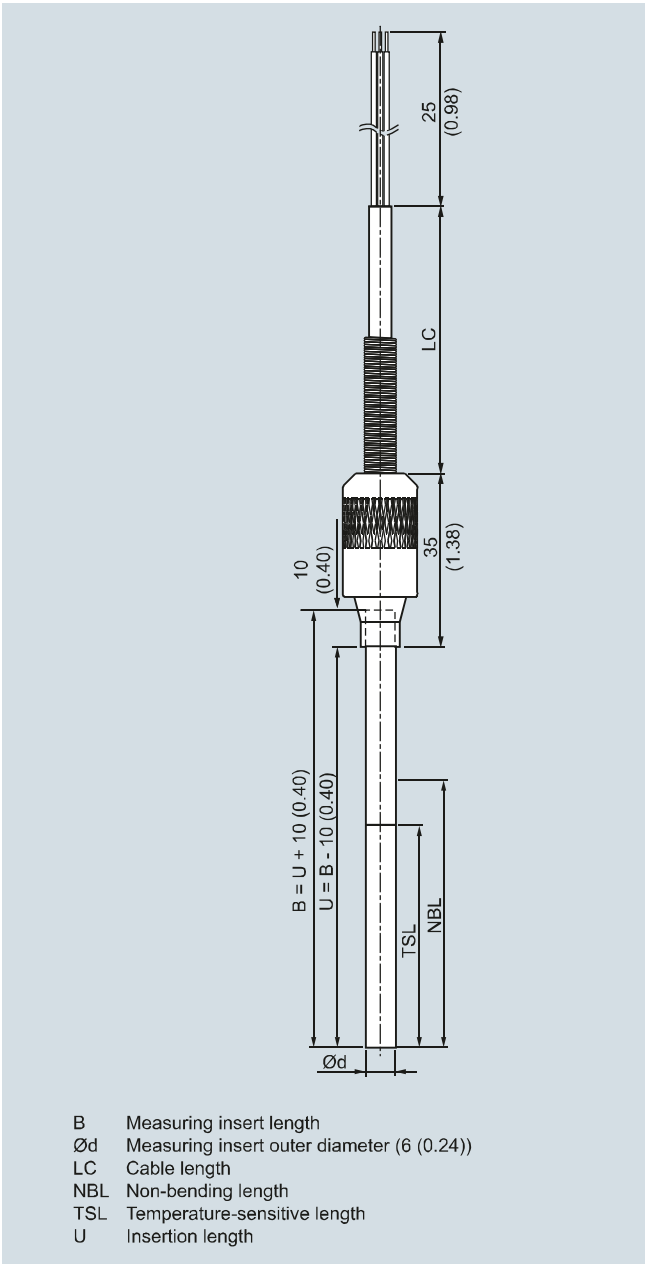


Temperature Measurement SITRANS TS100

Cable
mineral-insulated

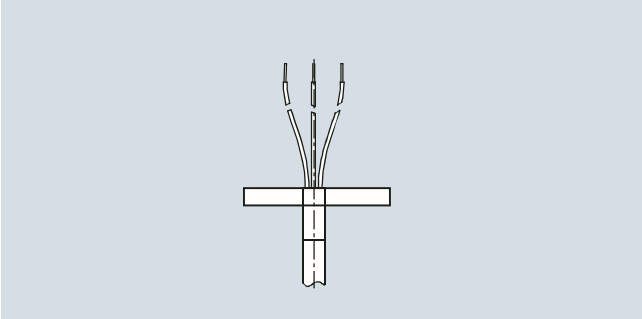
Dimensional drawings

2

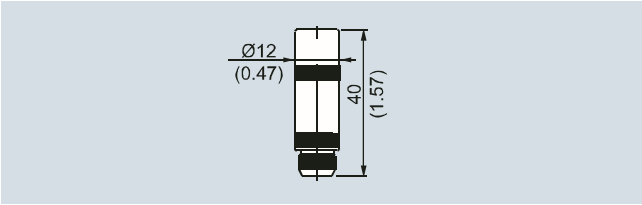


SITRANS TS100, temperature sensors in cable version, universal use, mineral-insulated version, for unfavorable space conditions, dimensions in mm (inch)

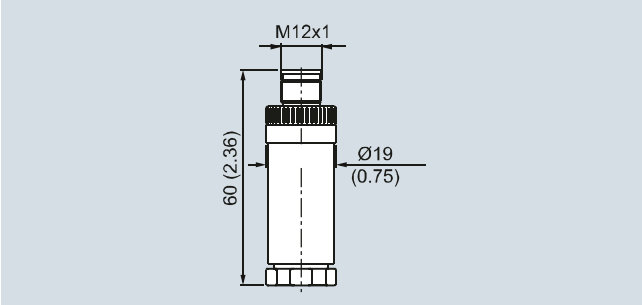
Design of connection side



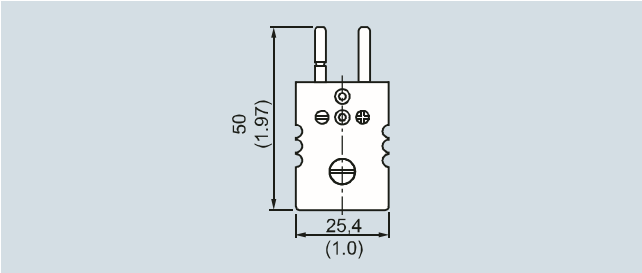
Flying leads, dimensions in mm (inch)



Coupling LEMO 1S, dimensions in mm (inch)



M12 plug, dimensions in mm (inch)



Thermocouple plug, dimensions in mm (inch)

Temperature Measurement SITRANS TS100

Cable
mineral-insulated

Selection and Ordering data	Article No.	Ord. Code
SITRANS TS100 Temperature sensors in cable version, universal use, mineral-insulated version, for unfavorable space conditions	7MC7111-	
Sensor diameter 6 mm (0.24 inch) Special version	6 7	H 1 Y
Length of sensor element B, effective length U = B-10; see dimensional drawings page 2/108 200 mm (7.87 inch) 500 mm (19.68 inch) 1 000 mm (39.37 inch)	C D E	
Customer-specific length of sensor element B, effective length U = B-10; see dimensional drawings page 2/108 enter customer specific length with Y44, see Order Codes below 70 ... 100 mm (2.76 ... 3.94 inch) Standard: 100 mm (3.94 inch) 101 ... 250 mm (3.98 ... 9.84 inch) Standard: 200 mm (7.87 inch) 251 ... 500 mm (9.88 ... 19.68 inch) Standard: 500 mm (19.68 inch) 501 ... 750 mm (19.72 ... 29.53 inch) Standard: 750 mm (29.53 inch) 751 ... 1 000 mm (19.72 ... 39.37 inch) Standard: 1 000 mm (39.37 inch) 1 001 ... 1500 mm (39.4 ... 59.00 inch) Standard: 1500 mm (59.00 inch)	B C D E F G	
Special length of sensor element, effective length U = B-10; see dimensional drawings page 2/108 • Special length Sensor element > 1 500 mm (59.06 inch)	X	
Sensor Pt100, basis, -50 ... +400 °C (-58 ... +752 °F) Pt100, vibration-resitant, -50 ... +400 °C (-58 ... +752 °F) Thermocouple Type K, -40 ... +1000 °C (-40 ... +1 832 °F) Thermocouple Type J, only class 2, -40 ... +750 °C (-40 ... +1 382 °F)	A B K J	
Sensor number/Accuracy Single, basic accuracy (Class 2/Class B) Single, increased accuracy (Class 1/Class A) Single, highest accuracy (Class AA) Double, basic accuracy (Class 2/Class B) Double, increased accuracy (Class 1/Class A) Double, highest accuracy (Class AA) Special version of sensor type, number and accuracy	1 2 3 4 5 6 Z 0	K 1 Y
Design of connection side Flying leads LEMO coupling 1S M12 connector, not for double Pt100 Thermocouple coupling, from TC-material (2xTC on request) Special version, connection side	1 2 3 4 9	M 1 Y

Selection and Ordering data	Order code
Further designs Add "-Z" to Article No. and specify Order Code.	
Enter sensor diameter in plain text	H1Y
Enter sensor type, number and accuracy in plain text	K1Y
Enter type of connection side in plain text	M1Y
Customer-specific length of sensor element B, effective length U = B-10 Select range, enter desired length in plain text (No entry = standard length)	Y44
Options Add "-Z" to Article No., add options, separate extensions with "+".	
Connection cable, type and length Cable type = 1st letter, Length 1 ... 99 m (3.28 ... 324.80 ft) = 2nd + 3rd place e.g.: 34 m (111.55 ft) connection cable PVC (PVC code is J34) with ?? meters connection cable (JJ) PVC/PVC, Operating temperature (-10...+105°C) (14 ... 221 °F) with ?? meters connection cable (SLFP) Silicone/Fluoropolymer, operating temperature -10 ... +80 °C (-14 ... +356 °F) with ?? meters connection cable (TGLV) PTFE/glass fiber/reinforced with stainless steel, Operating temperature (-100...+205°C (148 ... 401°F)) Special version of connection cable, enter cable type and length in plain text	J01 ... J99 S01 ... S99 L01 ... L99 Y91

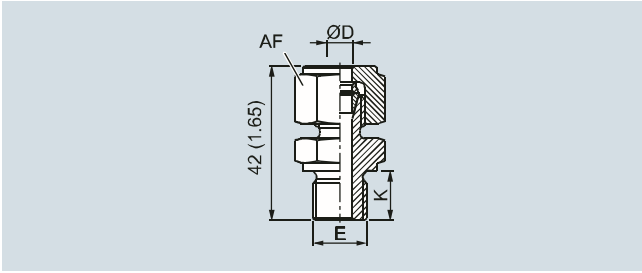
Additional configurations on page after next page!

You find ordering examples on page 2/107.

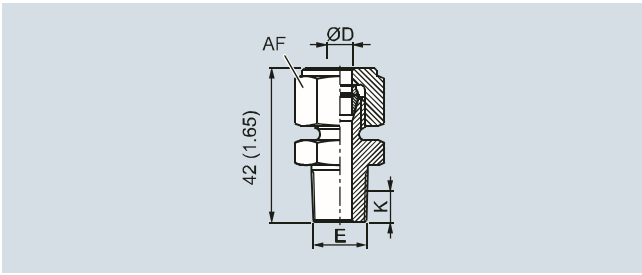
Temperature Measurement SITRANS TS100

Cable
mineral-insulated

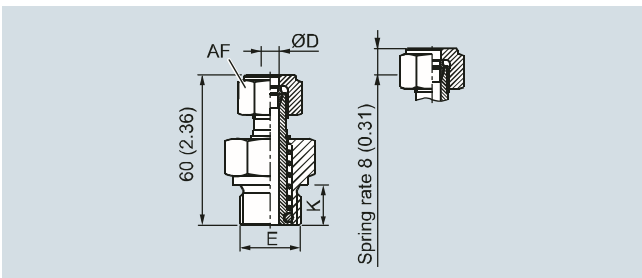
2



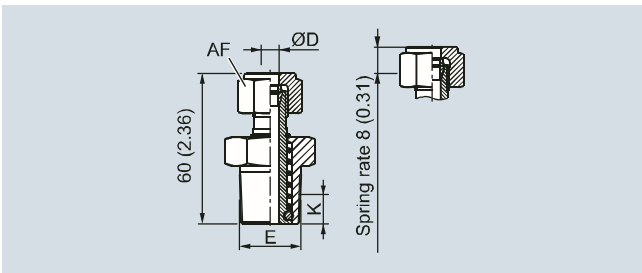
Compression fitting, dimensions in mm (inch)



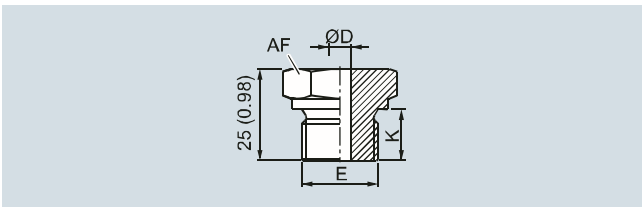
Compression fitting NPT, dimensions in mm (inch)



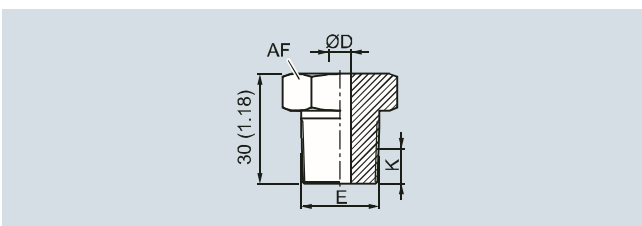
Spring-loaded compression fitting, dimensions in mm (inch)



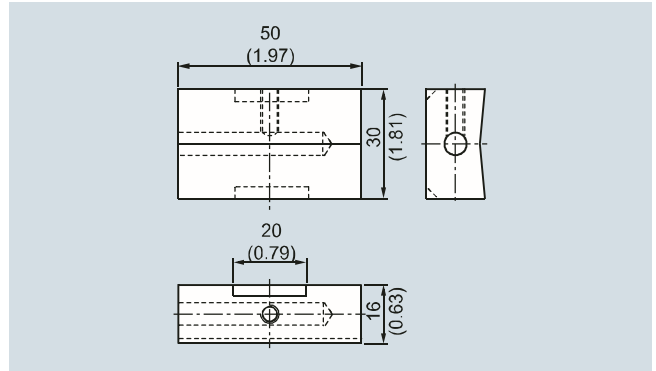
Spring-loaded compression fitting NPT, dimensions in mm (inch)



Soldering nipple, metric, dimensions in mm (inch)



Soldering nipple NPT, dimensions in mm (inch)



Surface connection piece, dimensions in mm (inch)

Selection and Ordering data	Order code
Process connection	
Soldering nipple G $\frac{1}{4}$ " , enclosed	A20
Soldering nipple G $\frac{1}{2}$ " , enclosed	A21
Soldering nipple NPT $\frac{1}{2}$ " , enclosed	A22
Soldering nipple M18x1.5, enclosed	A23
Soldering nipple M8x1, enclosed	A24
Compression fitting G $\frac{1}{4}$ " , enclosed	A30
Compression fitting G $\frac{1}{2}$ " , enclosed	A31
Compression fitting NP $\frac{1}{2}$ " , enclosed	A32
Compression fitting M8x1, enclosed	A34
Compression fitting, spring-loaded G $\frac{1}{2}$ " , enclosed	A41
Compression fitting, spring-loaded NPT $\frac{1}{2}$ " , enclosed	A42
Compression fitting, spring-loaded M18x1.5, enclosed	A43
Compression fitting, spring-loaded, M8x1, enclosed	A44
Surface connection piece, enclosed	A50
Explosion protection	
Intrinsic safety "ia", "ic")	E01
Certificates and approvals	
EN10204-3.1 Inspection certificate for materials coming into contact with media	C12
EN10204-3.1 Inspection certificate visual: measurement and functional inspection	C34
NACE Standard MR-01-75 compliance	C50
ISO 9001 grease-free (cleaned for e.g. oxygen applications)	C51
Further options	
Stainless steel TAG plate , Enter lettering in plain text	Y15
Plant calibration per 1 point, enter temperature in plain text, Attention: For devices with built-in head transmitters, select test points within the set measurement range	Y33
Special versions Special version, enter in plain text	Y99

You find ordering examples on page 2/107.